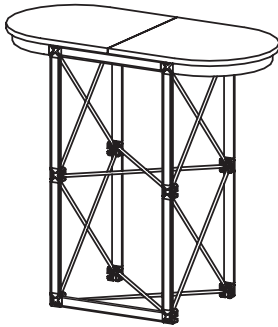
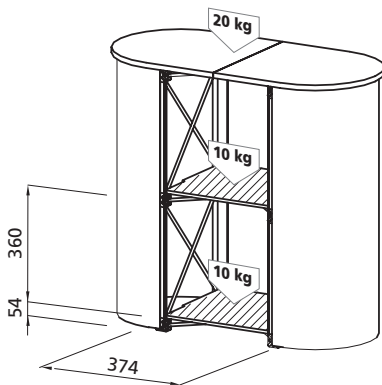
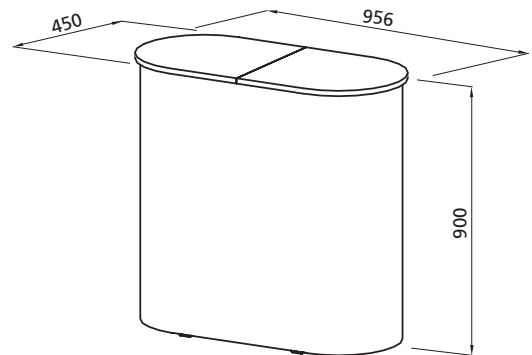


EUROcounter ES – 1 x 2, straight



Art nr.: 2.40.12011
 2.40.12021
 Weight: 6,78 / 6,93 kg
 Material: aluminium alloy, eloxed,
 laminated chipboard (beech)



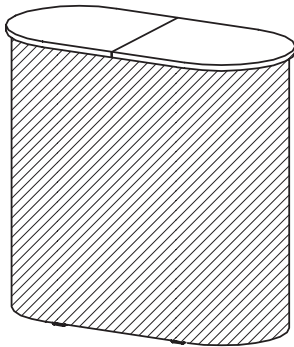
Art nr.: 2.41.03001
 Weight: 1,4 kg
 Material: laminated chipboard (beech)
Notice: one or two shelves are possible
 Max. load: 20 kg



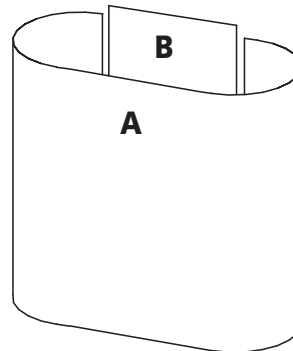
Art nr.: 2.41.07003
 Weight: 2 kg
 Material: nylon
 Dimensions: 500 x 170 x 800 mm

Art nr.	Description
2.40.12011	EUROcounter ES - 1 x 2, straight, open back with mag. bars and top desk
2.40.12021	EUROcounter ES - 1 x 2, straight, closed back with mag. bars and top desk
2.41.03001	Shelf for ES counter, straight
2.41.07003	Flight bag for ES counter and ES counter mini, black

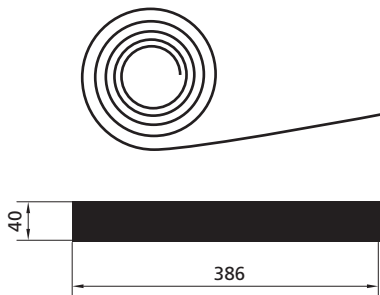
Graphic panels for ES - 1 x 2, straight



Art nr.: 2.43.12011-01
2.43.12021-01
Weight: 0,92 / 1,12 kg
Material: PE



A: 1 892 x 868 mm
B: 419 x 868 mm



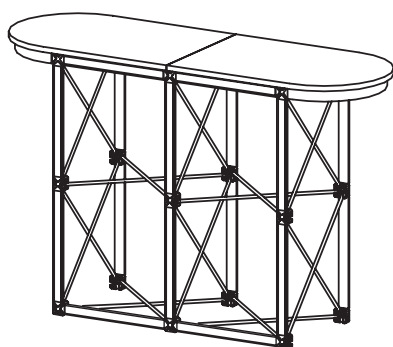
Art nr.: 2.42.09111
2.42.09121



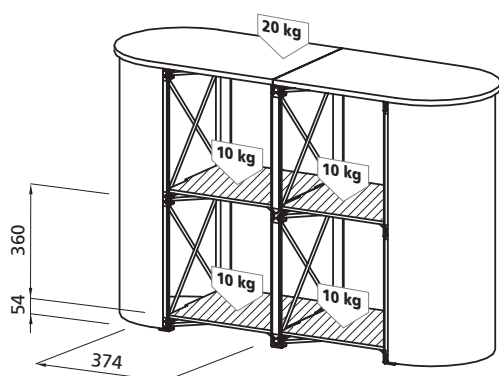
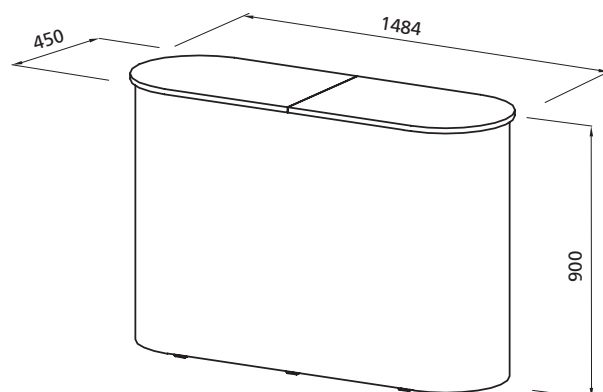
Art nr.: 2.11.07102-01
Weight: 2,48 kg
Material: nylon, polyethylen

Art nr.	Description
2.43.12011-01	Set of fully equipped panels for ES - 1 x 2, straight, open back, incl. print
2.43.12021-01	Set of fully equipped panels for ES - 1 x 2, straight, closed back, incl. print
2.42.09111	Mounting kit for set of panels for ES - 1 x 2, straight, open back
2.42.09121	Mounting kit for set of panels for ES - 1 x 2, straight, closed back
2.11.07102-01	Flight bag for graphics, black

EUROcounter ES - 2 x 2, straight



Art nr.: 2.40.22011
 2.40.22021
 Weight: 11,50 / 11,80 kg
 Material: aluminium alloy, eloxed,
 laminated chipboard (beech)



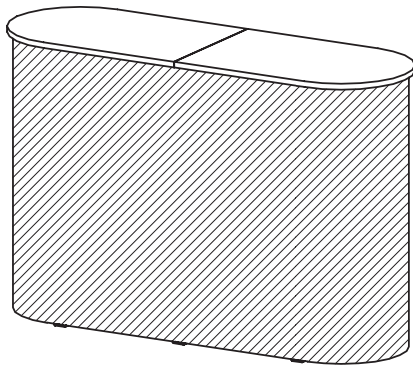
Art nr.: 2.41.03001
 Weight: 1,4 kg
 Material: laminated chipboard (beech)
Notice: two or four shelves are possible
 Max. load: 20 kg



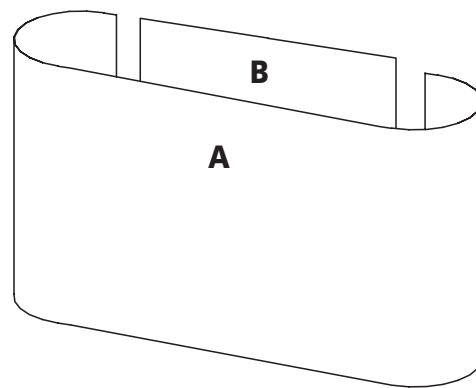
Art nr.: 2.41.07003
 Weight: 2 kg
 Material: nylon
 Dimensions: 500 x 170 x 800 mm

Art nr.	Description
2.40.22011	EUROcounter ES - 2 x 2, straight, open back with mag. bars and top desk
2.40.22021	EUROcounter ES - 2 x 2, straight, closed back with mag. bars and top desk
2.41.03001	Shelf for ES counter, straight
2.41.07003	Flight bag for ES counter and ES counter mini, black

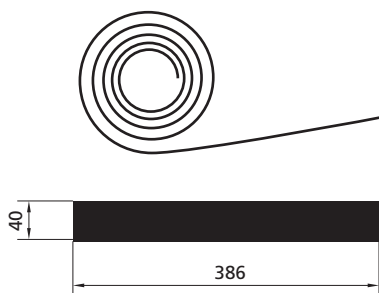
Graphic panels for ES - 2 x 2, straight



Art nr.: 2.43.22011-01
 2.43.22021-01
 Weight: 0,92 / 1,12 kg
 Material: PE



A: 2 311 x 868 mm
 B: 838 x 868 mm



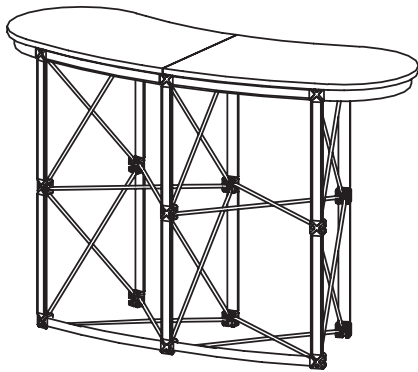
Art nr.: 2.42.09211
 2.42.09212



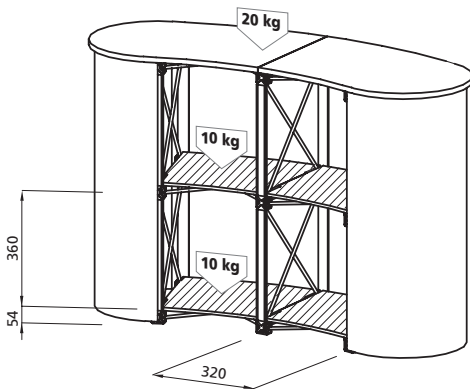
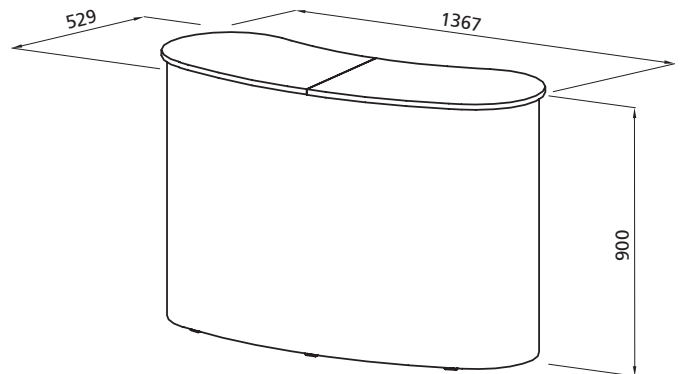
Art nr.: 2.11.07102-01
 Weight: 2,48 kg
 Material: nylon, polyethylen

Art nr.	Description
2.43.22011-01	Set of fully equipped panels for ES - 2 x 2, straight, open back, incl. print
2.43.22021-01	Set of fully equipped panels for ES - 2 x 2, straight, closed back, incl. print
2.42.09211	Mounting kit for set of panels for ES - 2 x 2, straight, open back
2.42.09212	Mounting kit for set of panels for ES - 2 x 2, straight, closed back
2.11.07102-01	Flight bag for graphics, black

EUROcounter ES - 2 x 2, curved



Art nr.: 2.40.22012
2.40.22022
Weight: 11,46 / 11,72 kg
Material: aluminium alloy, eloxed,
laminated chipboard (beech)



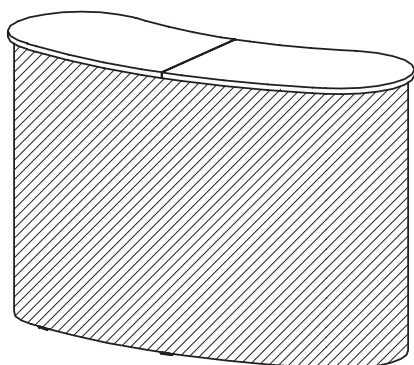
Art nr.: 2.41.03002
Weight: 1,4 kg
Material: laminated chipboard (beech)
Notice: two or four shelves are possible
Max. load: 20 kg



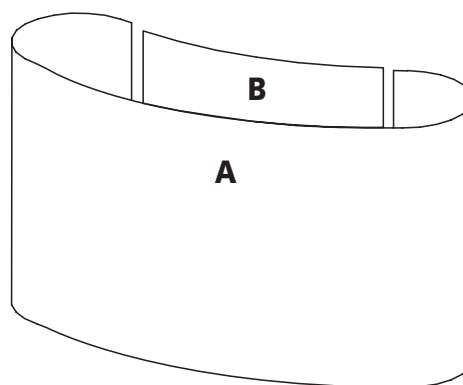
Art nr.: 2.41.07003
Weight: 2 kg
Material: nylon
Dimensions: 500 x 170 x 800 mm

Art nr.	Description
2.40.22012	EUROcounter ES - 2 x 2, curved, open back with mag. bars and top desk
2.40.22022	EUROcounter ES - 2 x 2, curved, closed back with mag. bars and top desk
2.41.03002	Shelf for ES counter, curved
2.41.07003	Flight bag for ES counter and ES counter mini, black

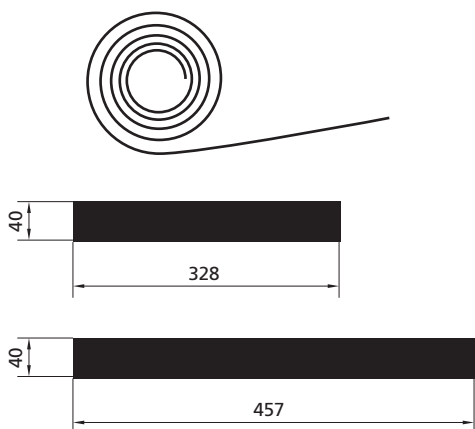
Graphic panels for ES - 2 x 2, curved



Art nr.: 2.43.22012-01
 2.43.22022-01
 Weight: 0,92 / 1,12 kg
 Material: PE



A: 2 453 x 868 mm
 B: 722 x 868 mm



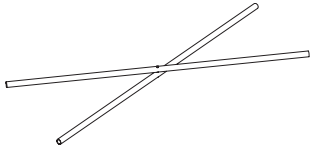
Art nr.: 2.42.09221
 2.42.09222



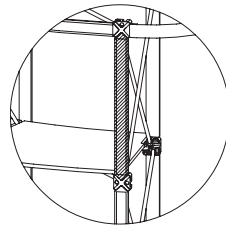
Art nr.: 2.11.07102-01
 Weight: 2,48 kg
 Material: nylon, polyethylen

Art nr.	Description
2.43.22012-01	Set of fully equipped panels for ES - 2 x 2, curved, open back, incl. print
2.43.22022-01	Set of fully equipped panels for ES - 2 x 2, curved, closed back, incl. print
2.42.09221	Mounting kit for set of panels for ES - 2 x 2, curved, open back
2.42.09222	Mounting kit for set of panels for ES - 2 x 2, curved, closed back
2.11.07102-01	Flight bag for graphics, black

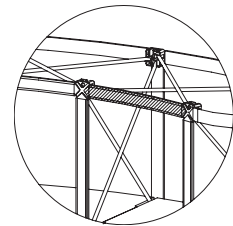
Spare parts



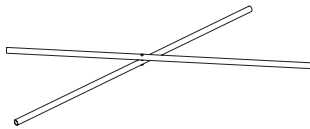
Art nr.: 2.41.09001
Weight: 0,10 kg
Material: aluminium alloy



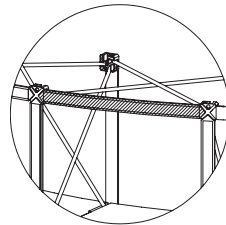
Art nr.: 2.41.01001
Weight: 0,15 kg
Material: aluminium alloy
with mag. tape



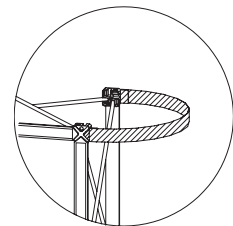
Art nr.: 2.41.01022
Weight: 0,13 kg
Material: aluminium alloy
with mag. tape



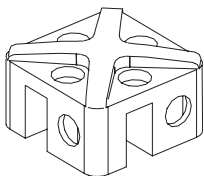
Art nr.: 2.41.09002
Weight: 0,10 kg
Material: aluminium alloy



Art nr.: 2.41.01012
Weight: 0,17 kg
Material: aluminium alloy
with mag. tape



Art nr.: 2.41.01180
Weight: 0,10 kg
Material: aluminium alloy
with mag. tape



Art nr.: 2.11.09004

Weight: 0,02 kg



Art nr.: 2.11.09006

Weight: 0,03 kg

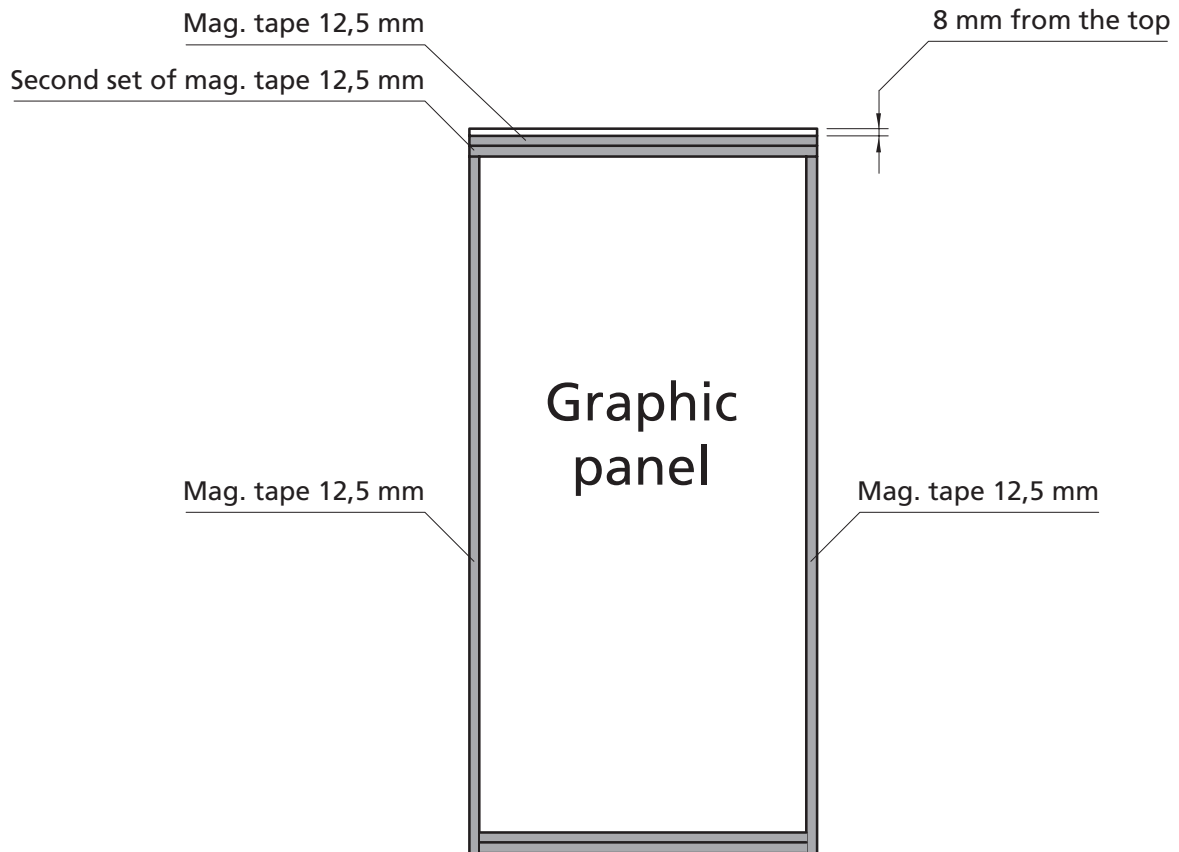


Art nr.: 2.41.09009

Weight: 0,03 kg

Art nr.	Description
2.41.01001	Magnetic bar for ES counter, straight
2.41.01012	Magnetic bar for ES counter, curved, front
2.41.01022	Magnetic bar for ES counter, curved, back
2.41.01180	Magnetic bar for ES counter, 180°
2.41.09001	Aluminium scissors for ES counter, straight
2.41.09002	Aluminium scissors for ES counter, curved
2.11.09004	Hub
2.11.09006	Round magnet 10 x 4 (set of 10 pcs.) Origin: China
2.41.09009	Insert for ES counter top desk
2.41.02121	Top desk for ES - 1 x 2, straight
2.41.02221	Top desk for ES - 2 x 2, straight
2.41.02222	Top desk for ES - 2 x 2, curved

Mounting instructions



Notice: Do not use kickers on end cap panels!!!