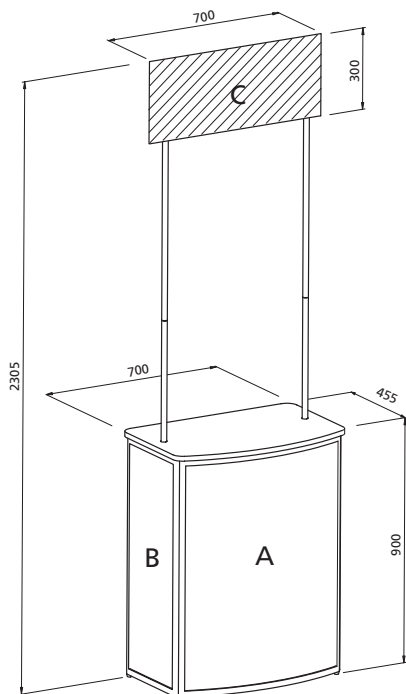


EUROcounter EC-1

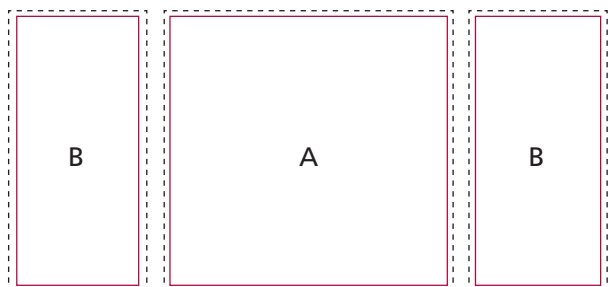


Graphic dimensions

Front panel A dimension: 645 x 840 mm

Side panel B dimension: 310 x 840 mm

Logo panel C dimension: 700 x 300 mm



Graphic preparation

Entire format: - A 635 x 829 mm
- B 300 x 829 mm
- C 700 x 300 mm

Printing area: - A 665 x 860 mm
- B 330 x 860 mm
- C 720 x 320 mm

Overlap: 10 mm on each side of entire format
WITHOUT CUTTING MARKS

Data requirements for digital print:

PDF:

Adobe Acrobat (version 6 and lower)
Texts integrated into the file or converted into paths.

Bitmap applications:

TIFF, BMP, EPS, Photoshop – PSD (version 8 and lower).

All data must be prepared on a 1:1 scale. Pictures on a scale of 1:4 or larger (up to 1:1) scanned in with 320 dpi (physical resolution).

Vector applications:

Illustrator – EPS nebo AI (version 11 and lower)
Logos and texts must be converted into paths.

Other applications after consultation.

Colours:

All data have to be in CMYK (be aware of fotos in RGB and direct colours in Illustrator) and must have defined the used colour profile. Otherwise we do not guarantee desired colours.

Possible data compression:

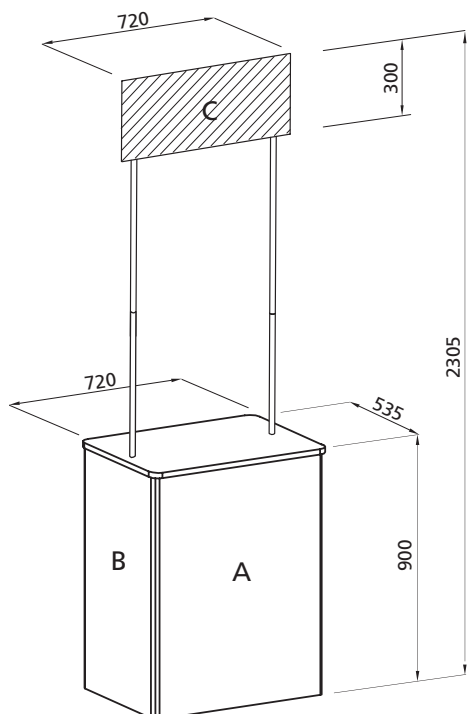
ZIP, ARJ, RAR, Stuffit

Data media:

CD, DVD, external USB, HD, data transfer through FTP

Other media after consultation.

EUROcounter EC-2

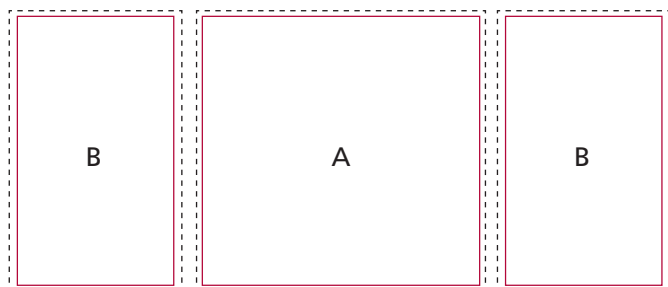


Graphic dimensions

Front panel A dimension: 645 x 840 mm

Side panel B dimension: 460 x 840 mm

Logo panel C dimension: 700 x 300 mm



Graphic preparation

Entire format: - A 635 x 829 mm
- B 450 x 829 mm
- C 700 x 300 mm

Printing area: - A 665 x 860 mm
- B 480 x 860 mm
- C 720 x 320 mm

Overlap: 10 mm on each side of entire format
WITHOUT CUTTING MARKS

Data requirements for digital print:

PDF:

Adobe Acrobat (version 6 and lower)
Texts integrated into the file or converted into paths.

Bitmap applications:

TIFF, BMP, EPS, Photoshop – PSD (version 8 and lower).

All data must be prepared on a 1:1 scale. Pictures on a scale of 1:4 or larger (up to 1:1) scanned in with 320 dpi (physical resolution).

Vector applications:

Illustrator – EPS nebo AI (version 11 and lower)
Logos and texts must be converted into paths.

Other applications after consultation.

Colours:

All data have to be in CMYK (be aware of fotos in RGB and direct colours in Illustrator) and must have defined the used colour profile. Otherwise we do not guarantee desired colours.

Possible data compression:

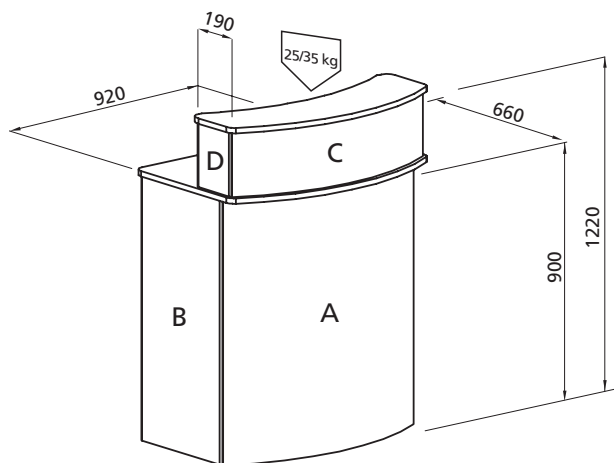
ZIP, ARJ, RAR, Stuffit

Data media:

CD, DVD, external USB, HD, data transfer through FTP

Other media after consultation.

EUROcounter EC-3



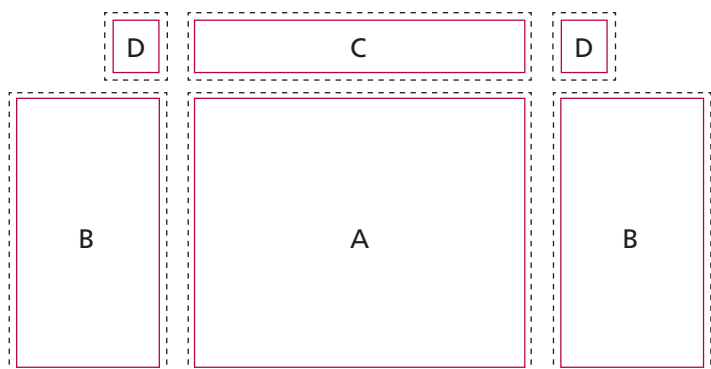
Graphic dimensions

Front panel A dimension: 893 x 840 mm

Side panel B dimension: 400 x 840 mm

Front top panel C dimension: 893 x 270 mm

Side top panel D dimension: 160 x 270 mm



Graphic preparation

Entire format: - A 890 x 829 mm
- B 390 x 829 mm
- C 890 x 259 mm
- D 150 x 259 mm

Printing area: - A 913 x 860 mm
- B 420 x 860 mm
- C 913 x 290 mm
- D 180 x 290 mm

Overlap: 10 mm on each side of entire format
WITHOUT CUTTING MARKS

Data requirements for digital print:

PDF:

Adobe Acrobat (version 6 and lower)
Texts integrated into the file or converted into paths.

Bitmap applications:

TIFF, BMP, EPS, Photoshop – PSD (version 8 and lower).

All data must be prepared on a 1:1 scale. Pictures on a scale of 1:4 or larger (up to 1:1) scanned in with 320 dpi (physical resolution).

Vector applications:

Illustrator – EPS nebo AI (version 11 and lower)
Logos and texts must be converted into paths.

Other applications after consultation.

Colours:

All data have to be in CMYK (be aware of fotos in RGB and direct colours in Illustrator) and must have defined the used colour profile. Otherwise we do not guarantee desired colours.

Possible data compression:

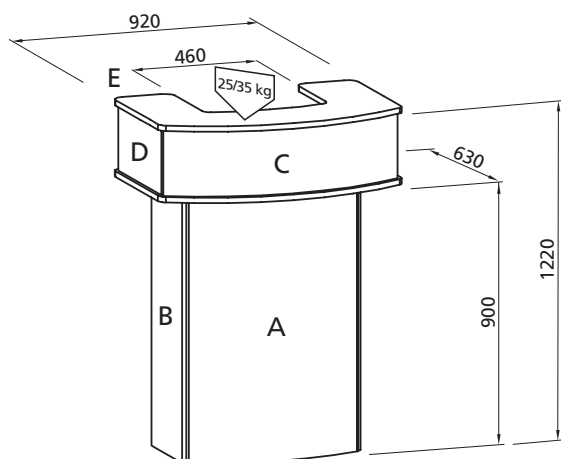
ZIP, ARJ, RAR, Stuffit

Data media:

CD, DVD, external USB, HD, data transfer through FTP

Other media after consultation.

EUROcounter EC-4



Graphic dimensions

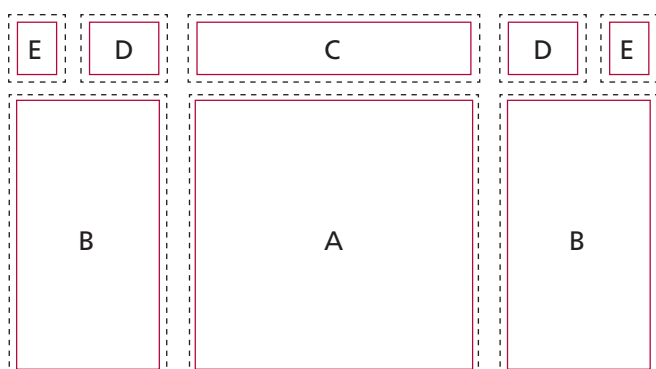
Front panel A dimension: 645 x 840 mm

Side panel B dimension: 400 x 840 mm

Front top panel C dimension: 893 x 270 mm

Side top panel D dimension: 440 x 270 mm

Back top panel E dimension: 150 x 270 mm



Graphic preparation

Entire format: - A 640 x 829 mm
- B 390 x 829 mm
- C 890 x 259 mm
- D 430 x 259 mm
- E 140 x 259 mm

Printing area: - A 665 x 860 mm
- B 420 x 860 mm
- C 913 x 290 mm
- D 460 x 290 mm
- E 170 x 290 mm

Overlap: 10 mm on each side of entire format
WITHOUT CUTTING MARKS

Data requirements for digital print:

PDF:

Adobe Acrobat (version 6 and lower)
Texts integrated into the file or converted into paths.

Bitmap applications:

TIFF, BMP, EPS, Photoshop – PSD (version 8 and lower).

All data must be prepared on a 1:1 scale. Pictures on a scale of 1:4 or larger (up to 1:1) scanned in with 320 dpi (physical resolution).

Vector applications:

Illustrator – EPS nebo AI (version 11 and lower)
Logos and texts must be converted into paths.

Other applications after consultation.

Colours:

All data have to be in CMYK (be aware of fotos in RGB and direct colours in Illustrator) and must have defined the used colour profile. Otherwise we do not guarantee desired colours.

Possible data compression:

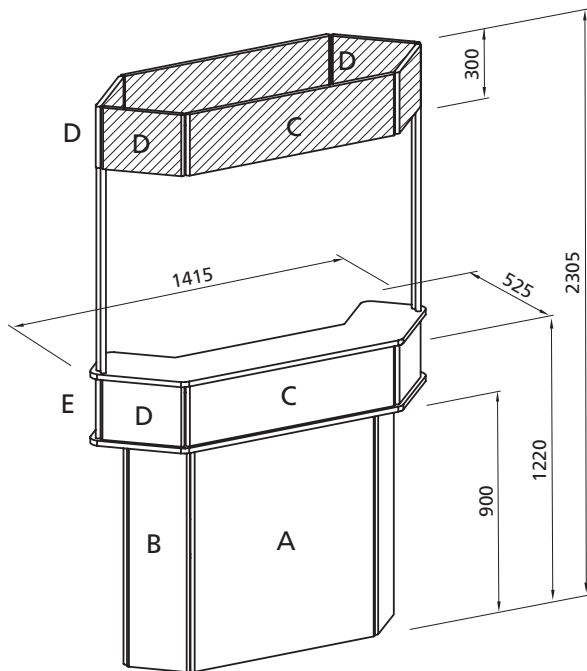
ZIP, ARJ, RAR, Stuffit

Data media:

CD, DVD, external USB, HD, data transfer through FTP

Other media after consultation.

EUROcounter EC-5



Graphic dimensions

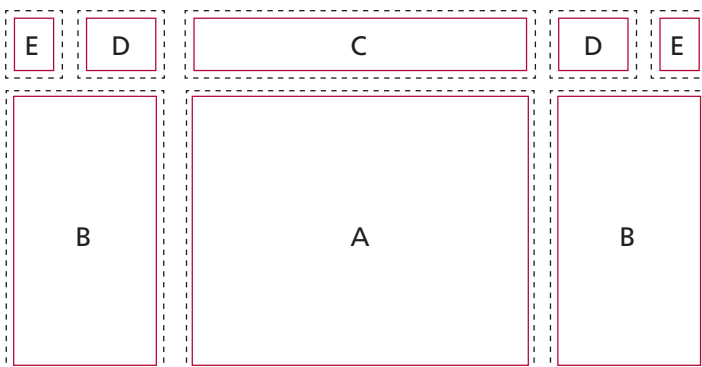
Front panel A dimension: 830 x 840 mm

Side panel B dimension: 230 x 840 mm

Front top and Logo panels C dimension: 875 x 270 mm

Side top and Logo front panels D dimension: 310 x 270 mm

Side top panel E dimension: 180 x 270 mm



Graphic preparation

Entire format:

- A 820 x 829 mm
- B 220 x 829 mm
- C 865 x 259 mm
- D 300 x 259 mm
- E 170 x 259 mm

Printing area:

- A 850 x 860 mm
- B 250 x 860 mm
- C 895 x 290 mm
- D 330 x 290 mm
- E 200 x 290 mm

Overlap: 10 mm on each side of entire format
WITHOUT CUTTING MARKS

Data requirements for digital print:

PDF:

Adobe Acrobat (version 6 and lower)
Texts integrated into the file or converted into paths.

Bitmap applications:

TIFF, BMP, EPS, Photoshop – PSD (version 8 and lower).

All data must be prepared on a 1:1 scale. Pictures on a scale of 1:4 or larger (up to 1:1) scanned in with 320 dpi (physical resolution).

Vector applications:

Illustrator – EPS nebo AI (version 11 and lower)
Logos and texts must be converted into paths.

Other applications after consultation.

Colours:

All data have to be in CMYK (be aware of fotos in RGB and direct colours in Illustrator) and must have defined the used colour profile. Otherwise we do not guarantee desired colours.

Possible data compression:

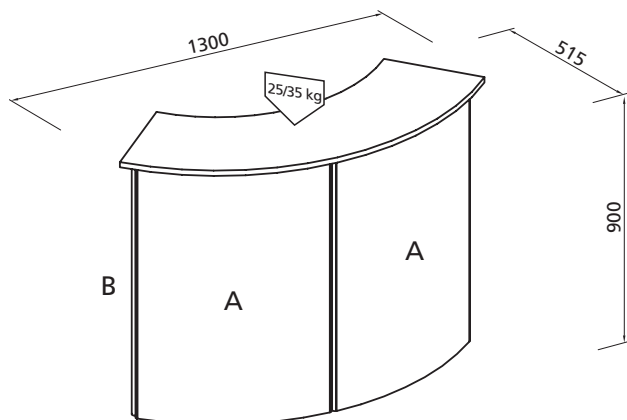
ZIP, ARJ, RAR, Stuffit

Data media:

CD, DVD, external USB, HD, data transfer through FTP

Other media after consultation.

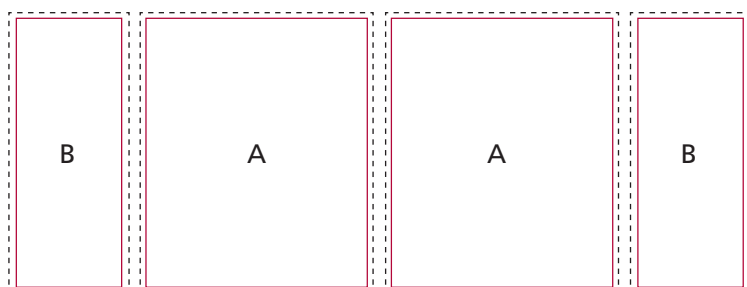
EUROcounter EC-6



Graphic dimensions

Front panel A dimension: 645 x 840 mm

Side panel B dimension: 250 x 840 mm



Graphic preparation

Entire format: - A 640 x 829 mm
- B 240 x 829 mm

Printing area: - A 665 x 860 mm
- B 270 x 860 mm

Overlap: 10 mm on each side of entire format
WITHOUT CUTTING MARKS

Data requirements for digital print:

PDF:

Adobe Acrobat (version 6 and lower)
Texts integrated into the file or converted into paths.

Bitmap applications:

TIFF, BMP, EPS, Photoshop – PSD (version 8 and lower).

All data must be prepared on a 1:1 scale. Pictures on a scale of 1:4 or larger (up to 1:1) scanned in with 320 dpi (physical resolution).

Vector applications:

Illustrator – EPS nebo AI (version 11 and lower)
Logos and texts must be converted into paths.

Other applications after consultation.

Colours:

All data have to be in CMYK (be aware of fotos in RGB and direct colours in Illustrator) and must have defined the used colour profile. Otherwise we do not guarantee desired colours.

Possible data compression:

ZIP, ARJ, RAR, Stuffit

Data media:

CD, DVD, external USB, HD, data transfer through FTP

Other media after consultation.